



CITY OF DAHLONEGA
465 Riley Road
Dahlonega, Georgia 30533
Phone: 706-864-6133 • Fax: 706-864-4837

**NORTH SQUARE SIDEWALK REPAIR
PROJECT #2023-005**

ADDENDUM 1

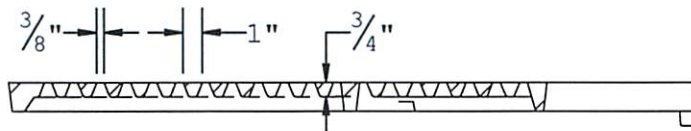
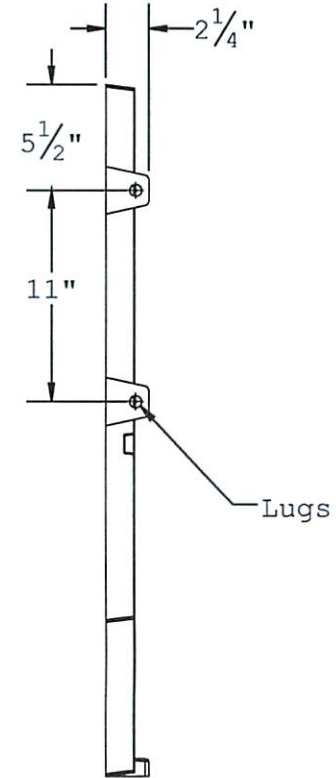
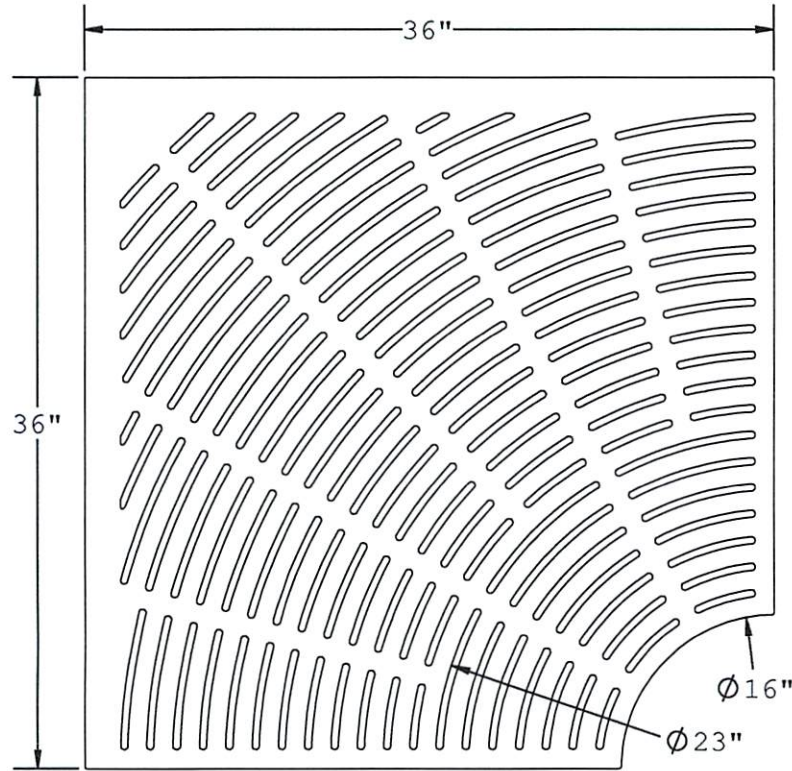
Addendum Issue Date: February 13th, 2023
Addendum Subject: Q/A, Additional Specification Detail
Addendum Page Numbers: 2

Bidders must take due notice and be governed accordingly. The addendum must be acknowledged as indicated in the Invitation to Bid or your Bid may not be considered.

Questions and Answers

1. Is any other documentation for this RFQ that has more information regarding the Tree Grates? **Yes, please see the attached document below for more details.**

THE INFORMATION CONTAINED IN THIS DRAWING IS THE SOLE PROPERTY OF U.S. FOUNDRY & MANUFACTURING CORP. ANY REPRODUCTION IN PART OR AS A WHOLE WITHOUT THE WRITTEN PERMISSION OF U.S. FOUNDRY & MANUFACTURING CORP. IS PROHIBITED. U.S. FOUNDRY & MANUFACTURING CORP. RESERVES THE RIGHT TO MAKE MODIFICATIONS TO DESIGN WITHOUT PRIOR NOTICE. DRAWING IS UNCONTROLLED WHEN PRINTED. WEIGHTS AND DIMENSIONS ARE PROVIDED FOR REFERENCE ONLY © US FOUNDRY AN EAGLE MANUFACTURING COMPANY




US FOUNDRY
 AN EAGLE MANUFACTURING COMPANY © 2017 All Rights Reserved

8351 NW 93rd Street
 Medley, FL, 33166-2025
 ph: 1-800-432-9709
 fax: 305-887-9429
 www.usfoundry.com

USF 9523-S Tree Grate

LOAD CLASSIFICATION:		Light Duty
MATERIAL:		Gray Cast Iron ASTM A-48 Class 35B
ITEM:	BAAN #	DRAWING
TreeGrate		DATE 7/20/2017
		DRAWN BY ULS/AB
REV 0	DATE	REV BY QUOTE #